

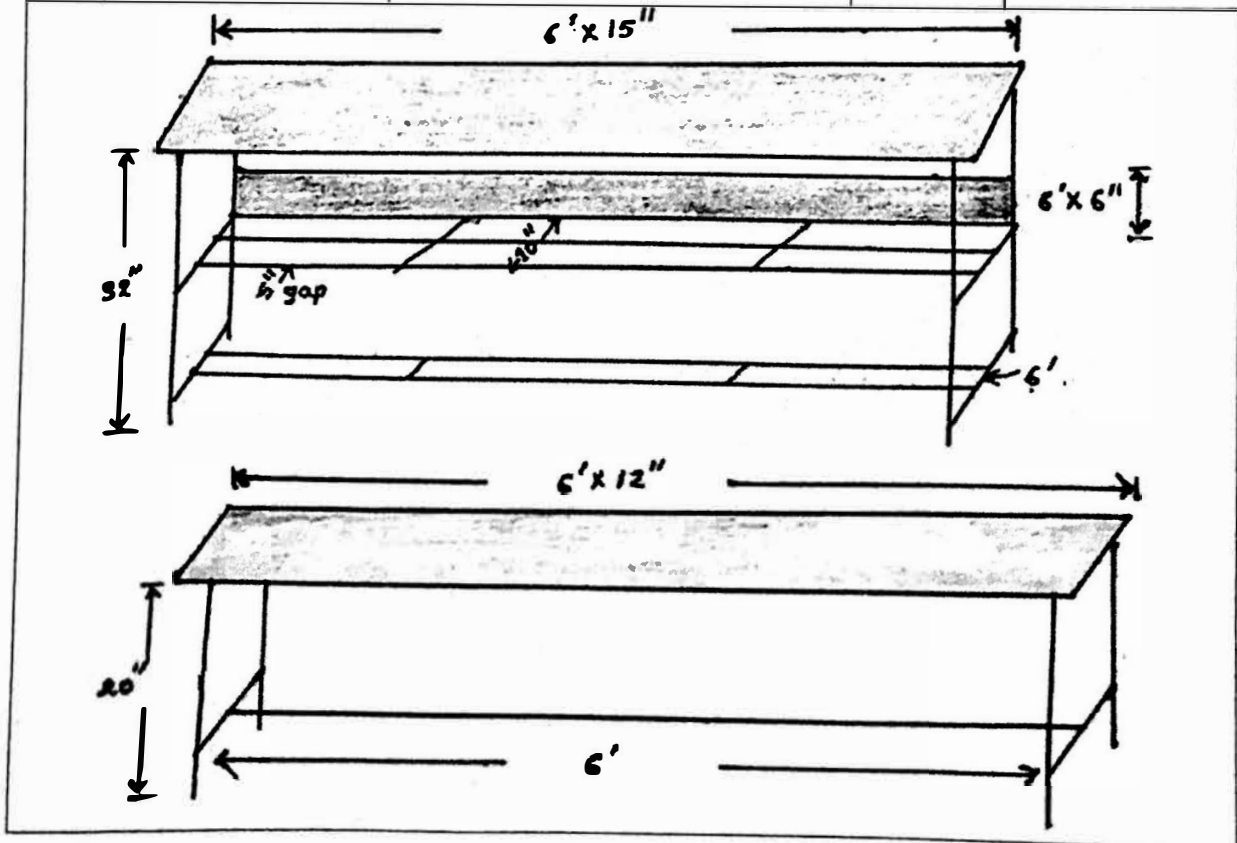
JAGANNATH BAROOAH COLLEGE (AUTONOMOUS), JORHAT-785001

NOTICE INVITING TENDER (REVISED)

(JBC/TENDER/Construction/2022/02 dated 24.06.2022)

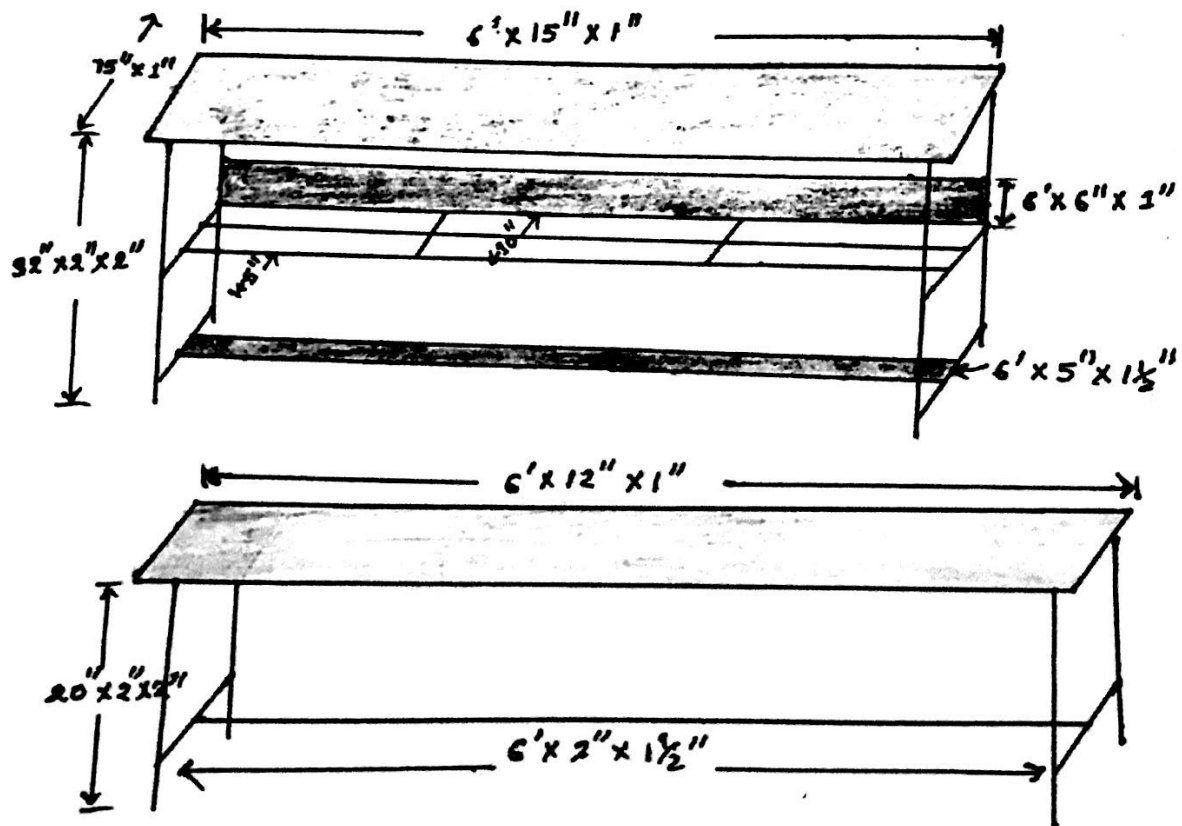
Principal, J.B. College, Jorhat invites sealed tenders from eligible suppliers/firms for the work **"Providing desk-bench at J.B. College, Jorhat"** as per drawing/structural details provided herewith.

Sl. No.	Name of the Work	Specification	Quantity	Time for Completion
1	Providing desk-bench at J.B. College, Jorhat	<p>A. Iron fabricated with block-board, mica top finish.</p> <p>Material: Square hollow section- (25 mm×25 mm×2 mm) Block board- Water proof, 19mm Plyboard (For book self, front cover)- Water proof, 12 mm Sunmica- 1 mm thick. Colour: Dark shades of approved brands to be selected and informed by the technical supervisor, JB College.</p> <p>Size: Desk: 6'(L)×15'' (B)×32'' (H) Bench: 6'(L)×1'(B)×20'' (H)</p>	130 (Approx.)	25 days (from the date of issue of work order)



Sl. No.	Name of the Work	Specification	Quantity	Time for Completion
		<p>B. Wooden, painted with desired colour.</p> <p>Material: Timber- 1st Class/2nd Class Paint- dark shades of approved brands to be selected and informed by the technical supervisor, JB College.</p> <p>Size: Desk: 6'(L)×15''(B)×32''(H) Bench: 6'(L)×1'(B)×20''(H)</p>		

Design:



Bidders must affix court fee stamp of Rs. 8.25/ & must deposit EMD of Rs 10,000/- by Cheque favouring Principal J B College payable at Jorhat.

Tender application should include photocopies in support of all the eligibility criteria along with a tender processing fee of Rs. 500/- only in cash.

Earnest money will be refunded to all unsuccessful bidders soon after awarding the contract to the successful bidder. Eligible bidders may be present at the time of opening of Tenders.

Important Dates:

Last date of submission of tender: 30.06.2022 upto 15.00 hours
Date of opening of sealed tenders: 30.06.2022 at 15.30 hours

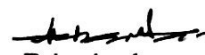
Eligibility of the Bidders:

The bidders must have valid:

1. PAN
2. GSTIN
3. Work orders with work completion certificate for similar works completed during the last 3 years.

Other Terms and Conditions:

1. Materials conforming to the given specification must be supplied by the contractor.
2. Rates must be quoted both in figure & words legibly and clearly.
3. The rate should be quoted considering all the taxes, duties and other levies as per Govt. rule and the same will be deducted from the bill as per the prevailing rules.
4. Successful bidder has to supply the entire consignment within 25 days from the date of issue of work order.
5. No extension of time will be allowed.
6. Earnest money deposited will be forfeited if the successful bidder dis-honours the work -order or fail to complete the work within the stipulated time.
7. Preference will be given to the supplier/firm with adequate experience in the execution of similar works.
8. Security deposit amounting to 2% of the total project cost has to be submitted in the form of a demand draft favouring Principal J B College payable at Jorhat. SD money will be retained for a period of 6 months from the date of completion of the work.
9. Acceptance of the lowest bidder is not obligatory on the College authority and the College reserves the right to reject any or all tenders without assigning any reason thereof.
10. For pre-bid queries, prospective bidders may ring 9957567382.


Principal
J. B. College, Jorhat
Principal
J.B. College (Autonomous)
Jorhat